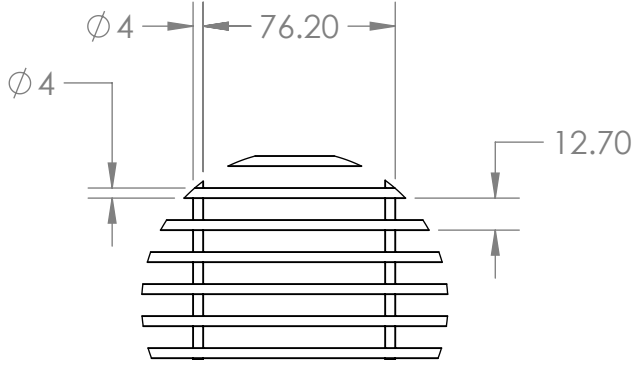


DETAIL A
SCALE 1 : 4

DETAIL C
SCALE 1 : 3

- DIN603 CARRIAGE BOLT
- FENCE COVER
- 358 MESH PANEL
- M8 BREAKAWAY NUT
- POST



UNLESS OTHERWISE SPECIFIED:
ALL DIMENSIONS ARE IN MM
SURFACE FINISH:
TOLERANCES:
LINEAR:
ANGULAR:

MATERIAL:
HEAT TREATMENT:
SURFACE TREATMENT:



	NAME	SIGNATURE	DATE
DRAWN			
CHK'D			
APPV'D			
MFG			
Q.A			

PROJECT

QTY.

DEBUR AND BREAK SHARP EDGES

ALLOWABLE DEVIATIONS FOR DIMENSIONS WITHOUT SPECIFIED TOLERANCES ARE AS PER ISO 2768-1:1989

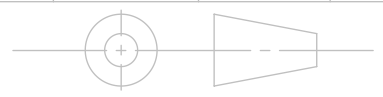
WEIGHT:

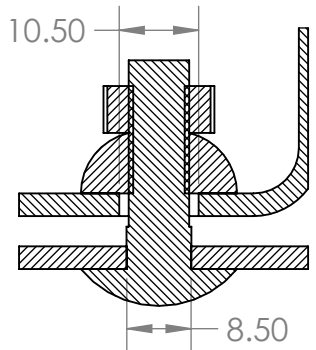
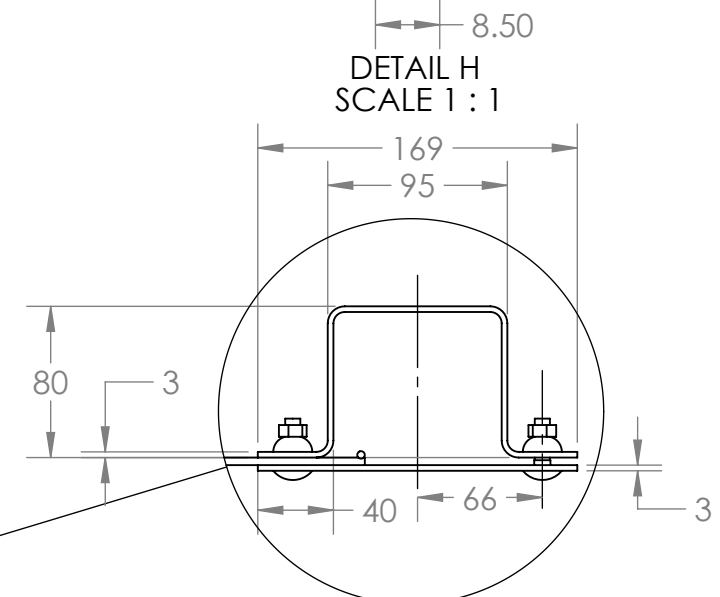
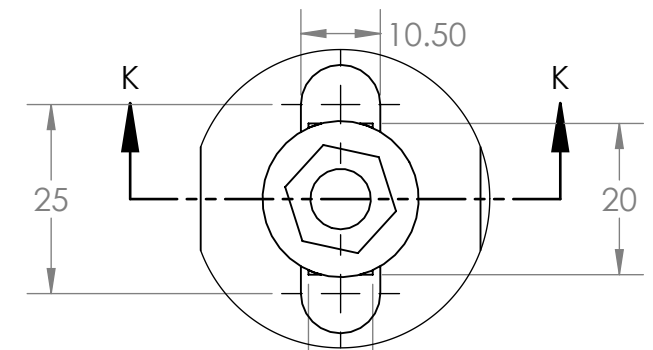
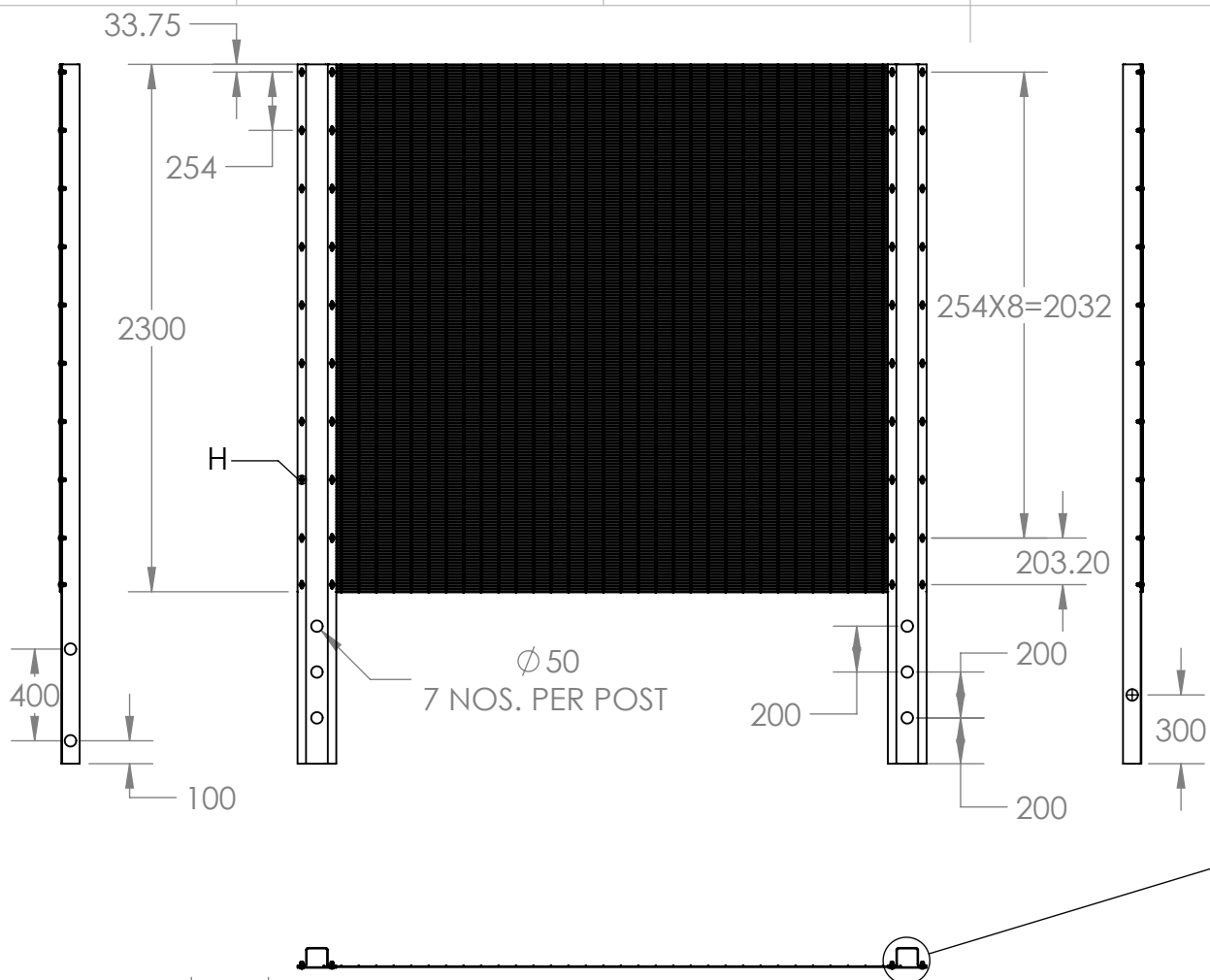
PART NAME

Quickdefence 358 System_2.3m

DWG NO.

REVISION





SECTION K-K
SCALE 1 : 1

UNLESS OTHERWISE SPECIFIED:
ALL DIMENSIONS ARE IN MM
SURFACE FINISH:
TOLERANCES:
LINEAR:
ANGULAR:

MATERIAL:
HEAT TREATMENT:
SURFACE TREATMENT:

QUICKfence.com

	NAME	SIGNATURE	DATE
DRAWN			
CHK'D			
APPV'D			
MFG			
Q.A			

PROJECT
QTY.
DEBUR AND BREAK SHARP EDGES

PART NAME
Quickdefence 358 System_2.3m



ALLOWABLE DEVIATIONS FOR DIMENSIONS
WITHOUT SPECIFIED TOLERANCES ARE AS PER
ISO 2768-1:1989
WEIGHT:

DWG NO.	REVISION	A4
SCALE:1:32	SHEET 2 OF 2	